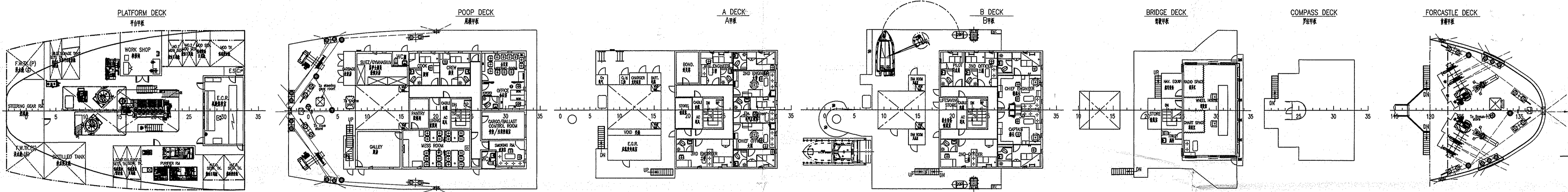
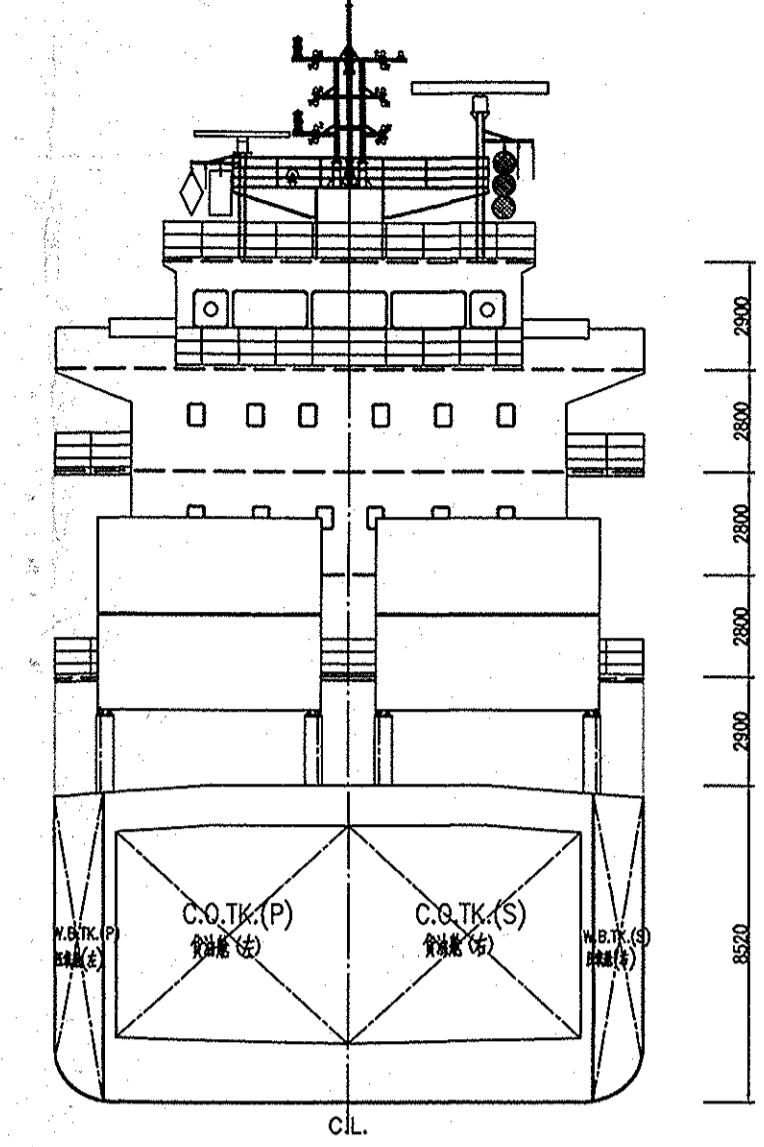
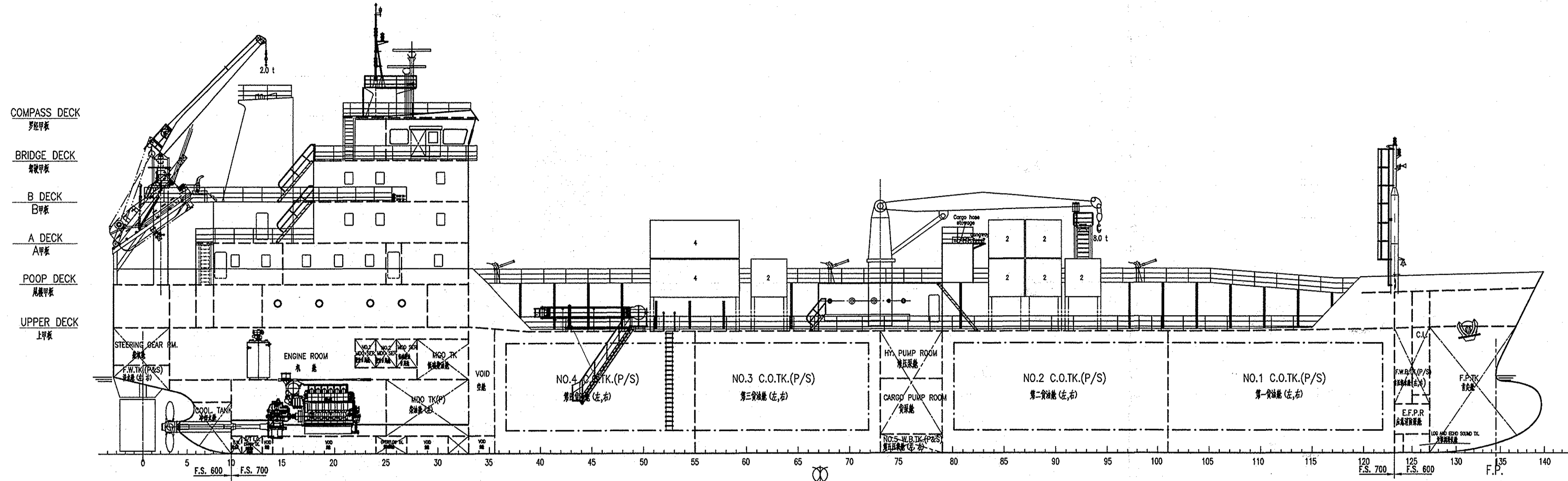
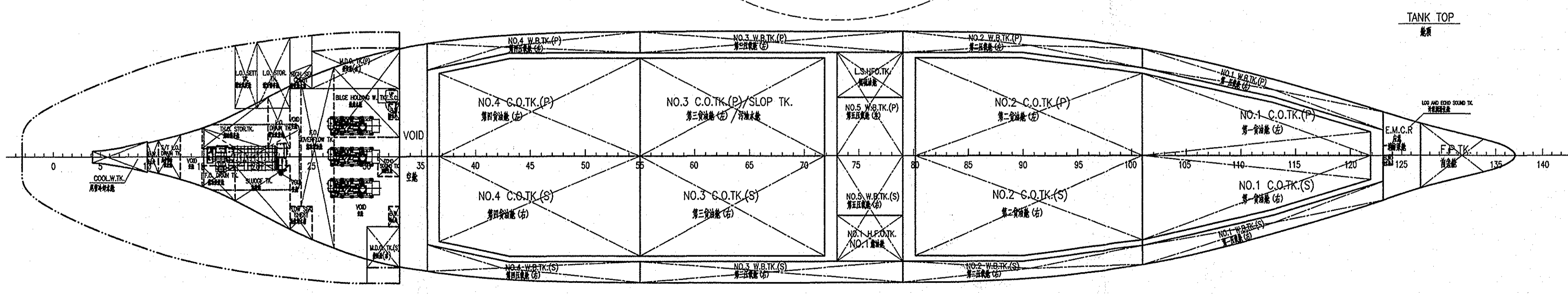
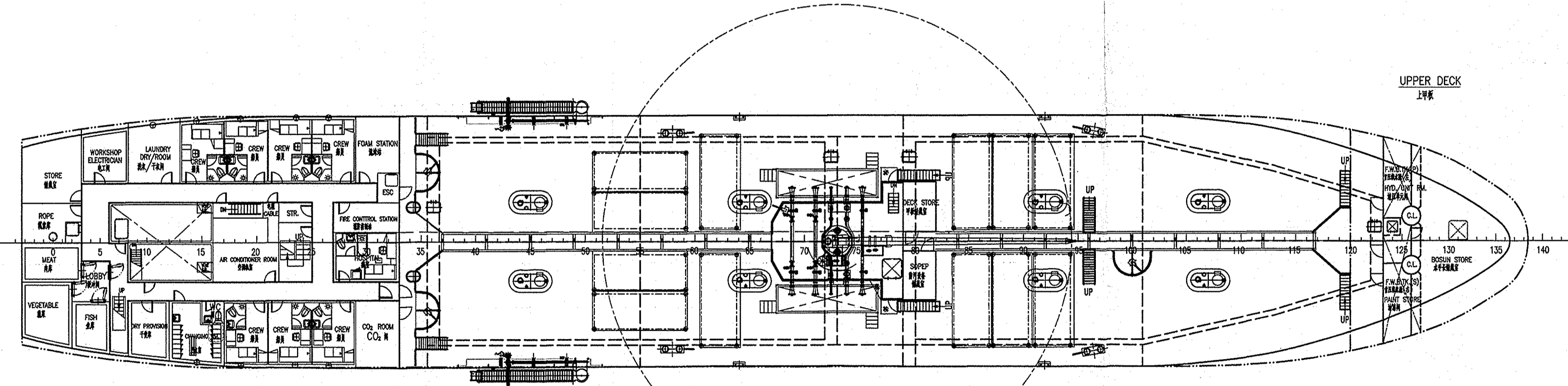


Rev.	Description	DRAWN	Checked	Date
B	修改船壳型线	修改	校核	2010.12.24
C	修改舱室型线	修改	校核	2010.03.09
D	修改舱室、船壳型线	修改	校核	2011.11.29
E	修改舱室、船壳型线	修改	校核	2011.12.05
F	修改舱室型线	修改	校核	2013.05.11



主要尺度及数据
PRINCIPAL DIMENSIONS

总长	LENGTH O.A.	abt. 97.25 m
垂线间长	LENGTH B.P.	92.00 m
型宽	BREADTH MLD.	16.00 m
型深	DEPTH MLD.	8.20 m
设计吃水	DESIGN DRAFT	5.30 m
主 机	MAIN ENGINE	MaK 6 M25C Tier II 1 set
	M.C.R.	2000kW x 750rpm
	C.S.R.(85% MCR)	1700kW x 710rpm
服务航速	SERVICE SPEED (at C.S.R., with 15% Sea Margin)	abt. 12.5Kn
续航力	ENDURANCE	abt. 5,000 n.m
船员定额	COMPLEMENT	19 Persons
船 级	LASSIFICATION	LR * 100A1 Double Hull Oil Tanker, Carriage of Oils with a F.F. exceeding 60°C and Asphalt Tanker, Maximum Cargo Temperature 200°C in Independent Higher Tensile Steel Tanks, SG 1.04, ShipRight(ACS(B)), ESP, *IWS, LI
		* LMC, UMS
		With descriptive note "Pt.HT. steel, ShipRight(BWMP(S,T))"



FINAL DWG
IMO No.:9553945

FINAL PLAN		3500 DWT ASPHALT CARRIER		SC5159-100-04	
当前版本	F	当前状态	0	HULL NO.: ESS100202	
DESIGNED	DATE	SCALE	1:200	WEIGHT	xxx kg
CHECKED	DATE	PAGE	1/1	NET AREA	0.5 m²
VERIFIED	DATE	SHANGHAI MERCHANT SHIP DESIGN & RESEARCH INSTITUTE			
APPROVED	DATE	上海船舶研究设计院			

This drawing and the information contained in it is the exclusive property of SDARI and must not be copied or handed over to third parties without our written permission.
未获 (文) 及许可前不得复制或转交于上海船舶研究设计院 (SDARI) 未经授权不得复制或转交于第三。